

bourdon tube pressure gauges anti-vibration version DS 4" (100mm)

Model FIT MS4



Instruments designed for use on power units, pump, hydro-cleaning machines, presses, engine compressors, turbines, diesel engines, chemical, petrochemical and refrigerating plants and on machines and equipment where pulsating pressures or mechanical vibrations are apparent. They can be used with gaseous or liquid media which do not corrode copper alloy and which do not have high viscosity or do not cristalize.

Specification

Design: EN 837-1.

Safety designation: S1 as per EN 837-2.

Ranges: from 0...15 to 0...15000 PSI (from 0...1 to 0...1000 bar or other equivalent units).

Accuracy class: 1,6 as per EN 837-1.

Ambient temperature: -13...+149°F (-25...+65 °C).

Process fluid temperature:

-13...+149°F (-25...+65 °C) for ranges ≤ 600 psi (40 bar):

-13...+ 248°F (-25...+120 °C) for ranges > 1000 psi (60 bar).

Thermal drift: max ±0,4% /10 K of ranges (starting from 68°F- 20°C).

Working pressure:

75% of FSV for static pressure;

66% of FSV for pulsating pressure.

Overpressure (max 15 min):

25% of FSV of ranges ≤ 1500 psi (100 bar);

15% of FSV for ranges over 1500 psi (100 bar).

Protection degree: IP 67 as per IEC 529.

Socket material: copper alloy, with internal restrictor ø 0.03" (0,8 mm)

Bourdon tube:

copper alloy for ranges ≤ 10000 psi (600 bar);

AISI 316L st.st. for ranges 15000 psi (1000 bar).

Case: stainless steel.

Ring: stainless steel, polished , crimped.

Window: glass.

Movement: copper and stainless steel.

Dial: aluminium, white with black markings

Pointer: not adjustable, aluminium,black

Damping liquid: glycerine 98%, silicon oil.or fluorinated fluid.

Ambient temperature:

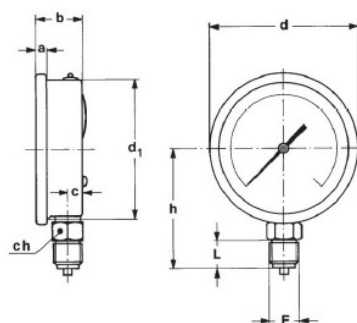
+59...+149 °F (+15...+65 °C) with glvcerine filling;

-49...+149 °F (-45...+65 °C) with silicon oil filling;

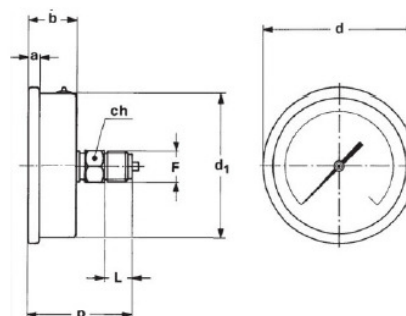
-76...+149 °F (-60...+65 °C) with fluorinated fluid filling.

Process fluid temperature: max+149°F (+65°C) .

Other features: as Fillable Model.



LOWER
CONNECTION MOUNTING



BACK
CONNECTION MOUNTING

Mounting	F	a	b	c	d	d ₁	h	p	ch	L	Weight
Lower	1/2-14 NPT - G 1/2 A	0.29" (7.5)	1.33" (33.9)	0.42" (10.8)	4.32" (109.8)	3.97" (101)	3.41" (86.8)		0.66" (17)	0.78" (20)	0.88 lbs (1) (0.4 kg)
Back	1/2-14 NPT - G 1/2 A	0.29" (7.5)	1.33" (33.9)		4.32" (109.8)	3.97" (101)		2.90" (73.9)	0.86" (22)	0.78" (20)	1.25 lbs (2) (0.57 kg)